
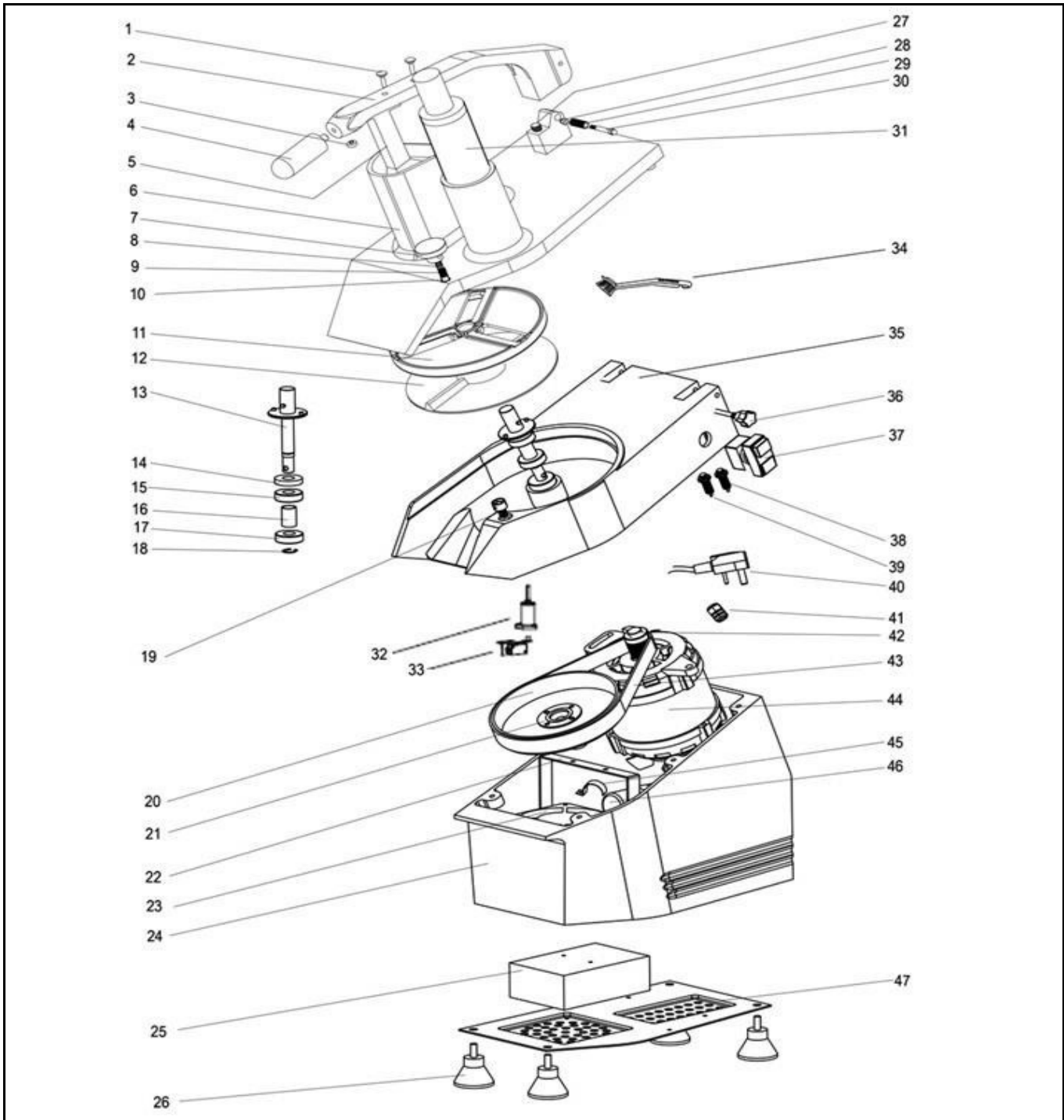



Drawing

 HENDI FOOD SERVICE EQUIPMENT Hendi B.V. Steenoven 21 3911 TX Rheden The Netherlands	Batch #	Appliance part#
	171733 and up	231807
	Description	
	Vegetable cutter	

Date	13-09-2017	Revision #	Revision version 1.2
Revision	Change of lid detection system.		



Bill of materials (BOM)

 HENDI FOOD SERVICE EQUIPMENT Hendi B.V. Steenoven 21 3911 TX Rhenen The Netherlands	Batch #	Appliance part#
	171733 and up	231807
	Description	
	Vegetable cutter	

Date	13-09-2017	Revision #	Revision version 1.2
Revision	Change of lid detection system.		

Item	Description	Part#	Quantity	Remark	Picture
1	Bolt M5x25	918586	2	Also in set 918593	
2	Handlebar (complete set)	918593	1	Incl item 1,3,4,5	
3	Nylon block	918609	1	Also in set 918593	
4	Knob for handle	918852	1	Also in set 918593	
5	Pressure bracket	nss	1	Available as 918593	
6	Lid (complete set)	918623	1	Incl item 7,,8,9,10,27,28,29,30,32,33	
7	Locking button (complete set)	918883	1	Incl item 8;9 & 10 and in set 918623	
8	Locking bar	nss	1	Available as 918883 and in set 918623	
9	Spring	nss	1	Available as 918883 and in set 918623	
10	Brass bushing	nss	1	Available as 918883 and in set 918623	
11	Slicing disc	280102	1		
12	Ejector disc	918500	1		
13	Drive spindle	918869	1		
14	Oil seal	931158	1		
15	Ball bearing	931165	1		
16	Metal bushing	n/a	1		
17	Ball bearing	931165	1		
18	Circlip	931172	1		
19	Anchor bolt	918722	1		
20	Belt pulley (big)	918739	1		
21	Belt pully cover	918814	1		
22	Bracket	n/a	1		
23	Fan	931202	1		
24	Lower housing	n/a	1		
25	PCB 3 gen. (with braking function)	941928	1		
25a	Relay	941935	1	Not shown on exploded view.	
26	Feet	918579	4		
27	Bolt	nss	1	Avalable in set 918623	
28	Dome nut M6	nss	2	Available as 918753	
29	Brass bushing	918760	1	Also in set 918623	
30	Bolt M6x50	918753	2	Incl item 28 and also in set 918623	
31	Plastic stick	918531	1		
32	Spring loaded push rod	943298	1		
33	Micro switch	943935	1		
34	Brush	n/a	1		
35	Center housing	n/a	1		
36	Waved bolt	918784	2		
37	Switch	918548	1		
39	Magnet switch Handle	918562	1		
40	Power cord H05VV-F 3Gx1,0mm ²	931189	1	Incl item 41	
41	Cord inlet with retention	nss	1	Available as 931189	
42	Belt pully (small)	918791	1		
43	Belt	918555	1		
44	Motor	918807	1		
45	Clamp capacitor	n/a	1		
46	Capacitor	931196	1		
47	Bottom cover	n/a	1		

n/a -> not available

nss -> not sold separately